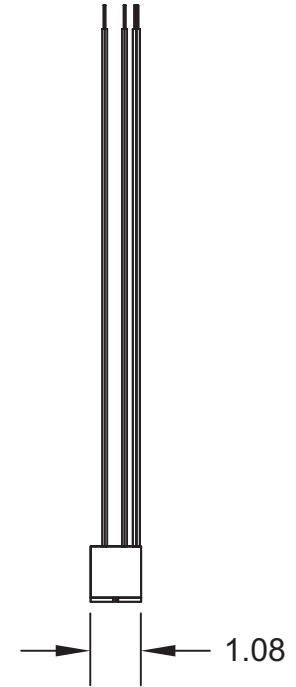
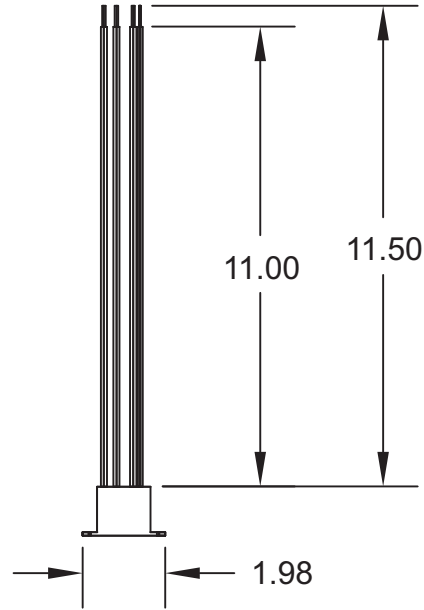
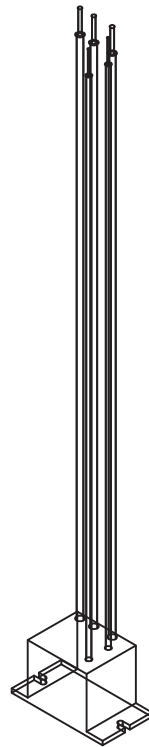


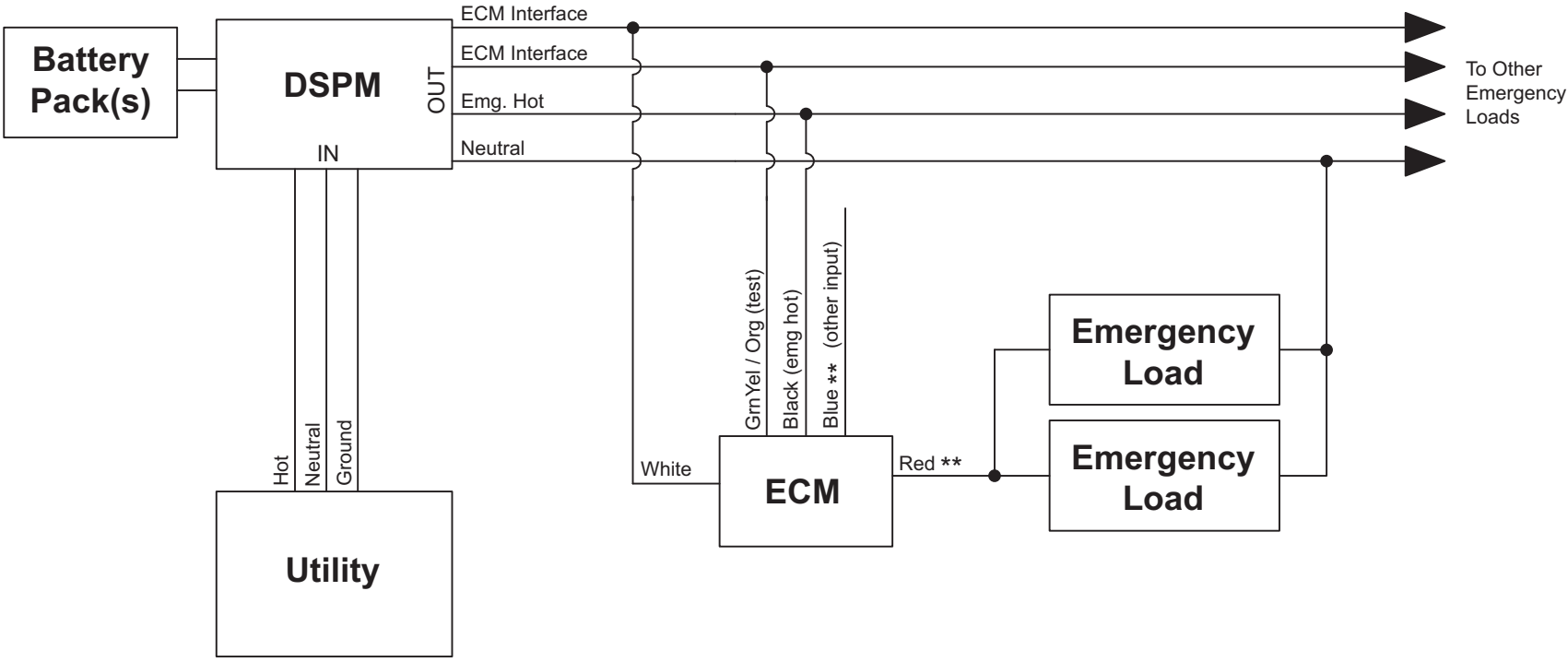
Catalog Number	
Project	Notes
Signature	Date




Title ECM Technical Drawing	
Document #: 086-0001-01	Revision: NA
File: 086-0001-01 ECM Technical Drawing	

1921 S. Quaker Ridge Place
 Ontario, CA 91761
 Ph: 1.877.DSPM POWER
 1.877.377.6769
 Fax: 909.930.3335

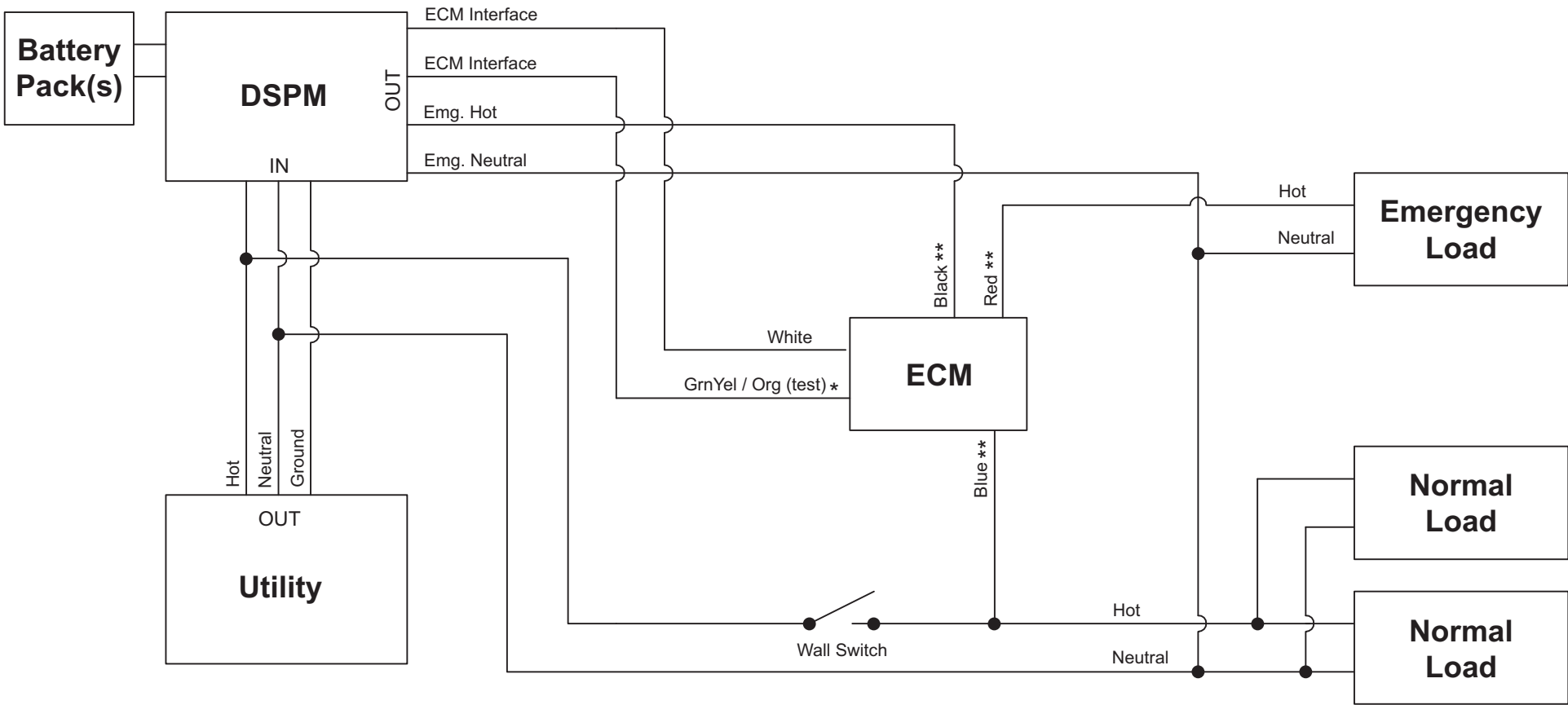
Catalog Number	
Project	Notes
Signature	Date




* Test Line = GreenYellow 120 VAC / Orange 277 VAC
 ** 20 Amps Maximum

 <p>DSPM INC. DIGITAL SIGNAL POWER MANUFACTURER www.DSPManufacturing.com</p>	<p>Title ECM Stand-By Mode</p>	<p>1921 S. Quaker Ridge Place Ontario, CA 91761 Ph: 1.877.DSPM POWER 1.877.377.6769 Fax: 909.930.3335</p>	
	<p>Document #: 086-0002-01</p>		<p>Revision: NA</p>
	<p>File: 086-0002-01 ECM Stand-By Mode</p>		

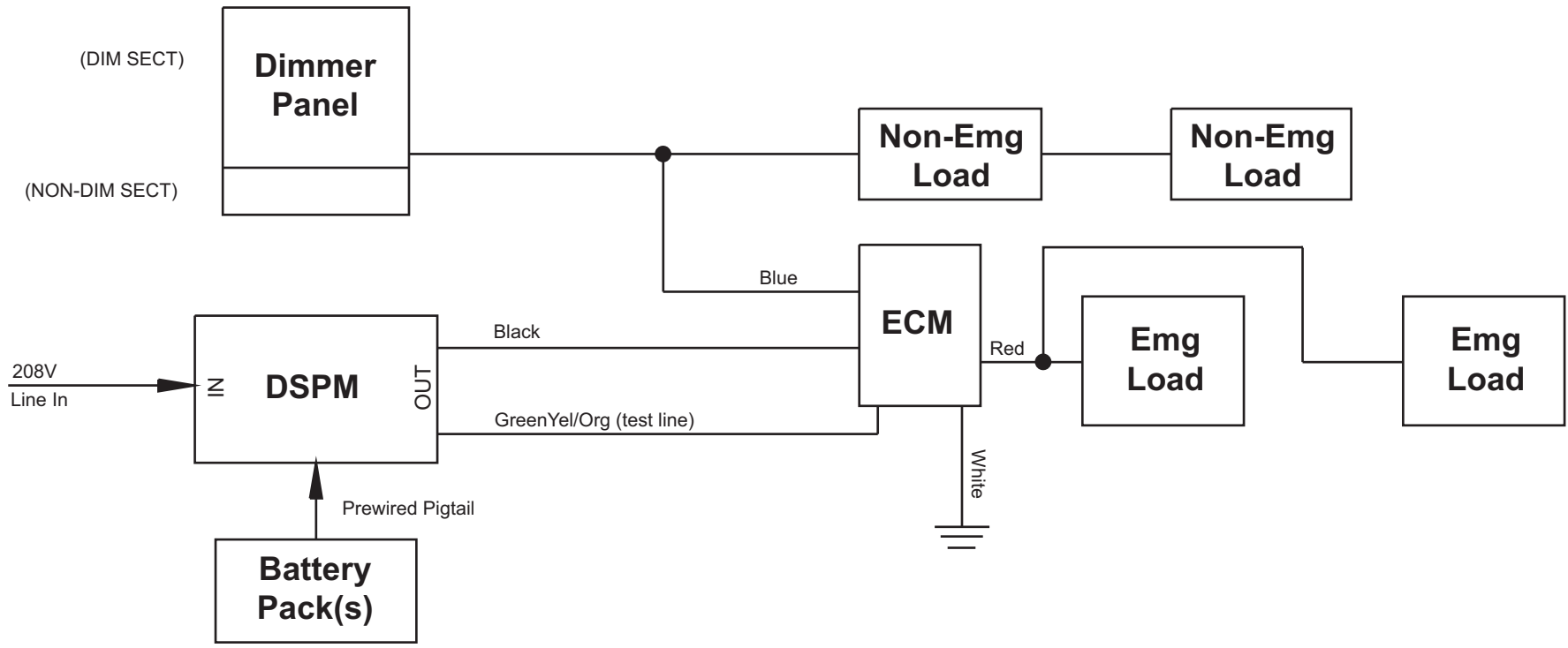
Catalog Number	
Project	Notes
Signature	Date



* Test Line = GreenYellow 120 VAC / Orange 277 VAC
 ** 20 Amps Maximum

 DSPM INC. DIGITAL SIGNAL POWER MANUFACTURER www.DSPManufacturing.com	Title ECM Bypass Wall Switch	1921 S. Quaker Ridge Place Ontario, CA 91761 Ph: 1.877.DSPM POWER 1.877.377.6769 Fax: 909.930.3335	
	Document #: 086-0003-01		Revision: NA
	File: 086-0003-01 ECM Bypass Wall Switch		

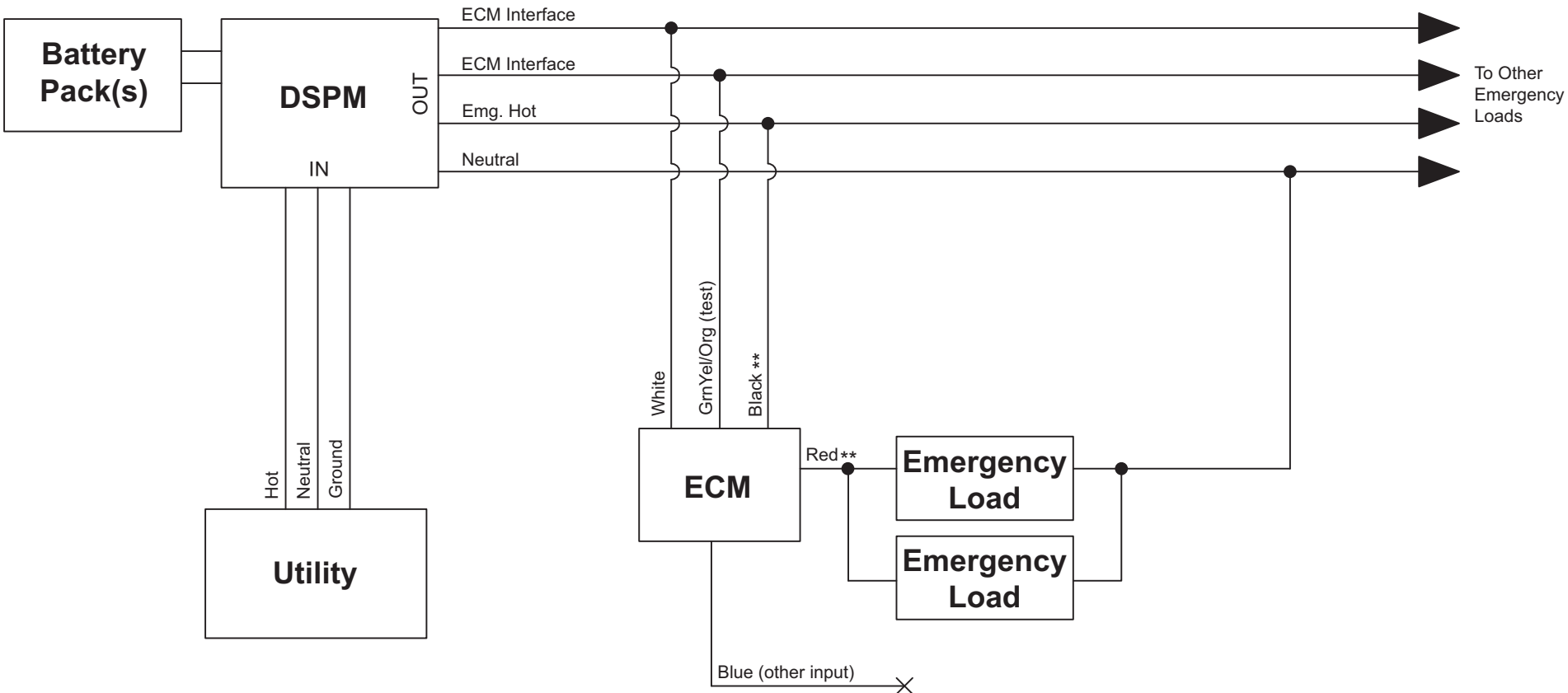
Catalog Number	
Project	Notes
Signature	Date




* Test Line = GreenYellow 120 VAC / Orange 277 VAC

	Title ECM Standard Dimming Panel Bypass		1921 S. Quaker Ridge Place Ontario, CA 91761 Ph: 1.877.DSPM POWER 1.877.377.6769 Fax: 909.930.3335
	Document #: 086-0004-01	Revision: NA	
	File: 086-0004-01 ECM Standard Dimming Panel		

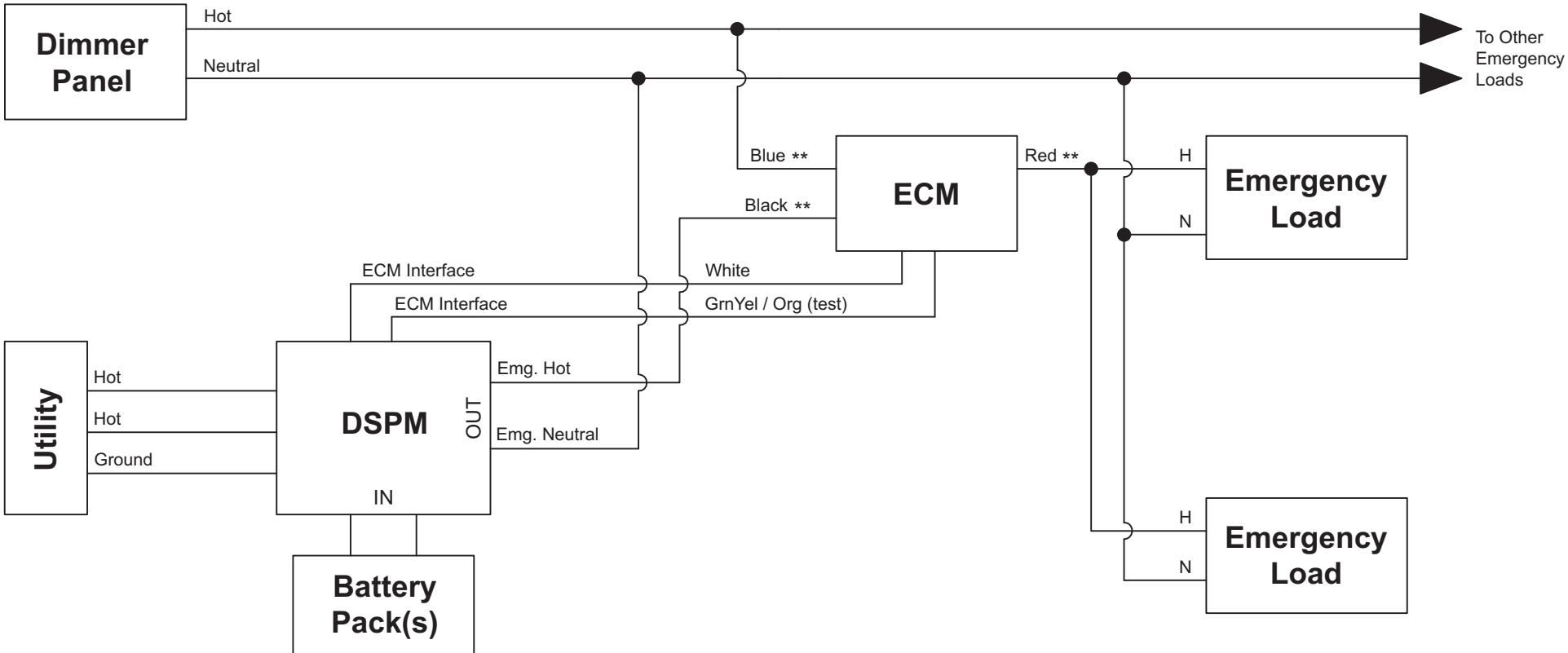
Catalog Number	
Project	Notes
Signature	Date




* Test Line = GreenYellow 120 VAC / Orange 277 VAC
 ** 20 Amps Maximum

 <p>DSPM INC. DIGITAL SIGNAL POWER MANUFACTURER www.DSPManufacturing.com</p>	<p>Title ECM Normally "OFF" Wiring</p>	<p>1921 S. Quaker Ridge Place Ontario, CA 91761 Ph: 1.877.DSPM POWER 1.877.377.6769 Fax: 909.930.3335</p>	
	<p>Document #: 086-0005-01</p>		<p>Revision: NA</p>
	<p>File: 086-0005-01 ECM Normally "OFF" Wiring</p>		

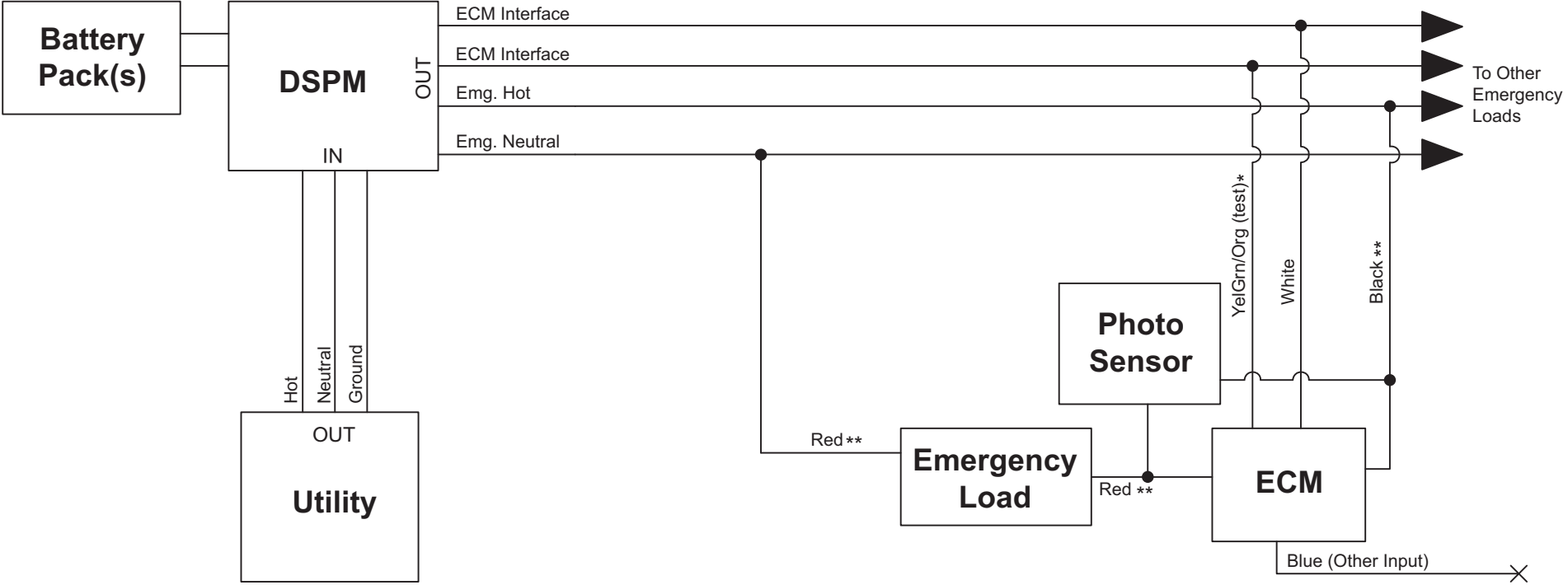
Catalog Number	
Project	Notes
Signature	Date



* Test Line = GreenYellow 120 VAC / Orange 277 VAC
 ** 20 Amps Maximum

 DSPM INC. DIGITAL SIGNAL POWER MANUFACTURER www.DSPManufacturing.com	Title ECM Emergency Dimming Bypass Wiring	1921 S. Quaker Ridge Place Ontario, CA 91761 Ph: 1.877.DSPM POWER 1.877.377.6769 Fax: 909.930.3335	
	Document #: 086-0006-01		Revision: NA
	File: 086-0006-01 ECM Emergency Dimming Bypass		

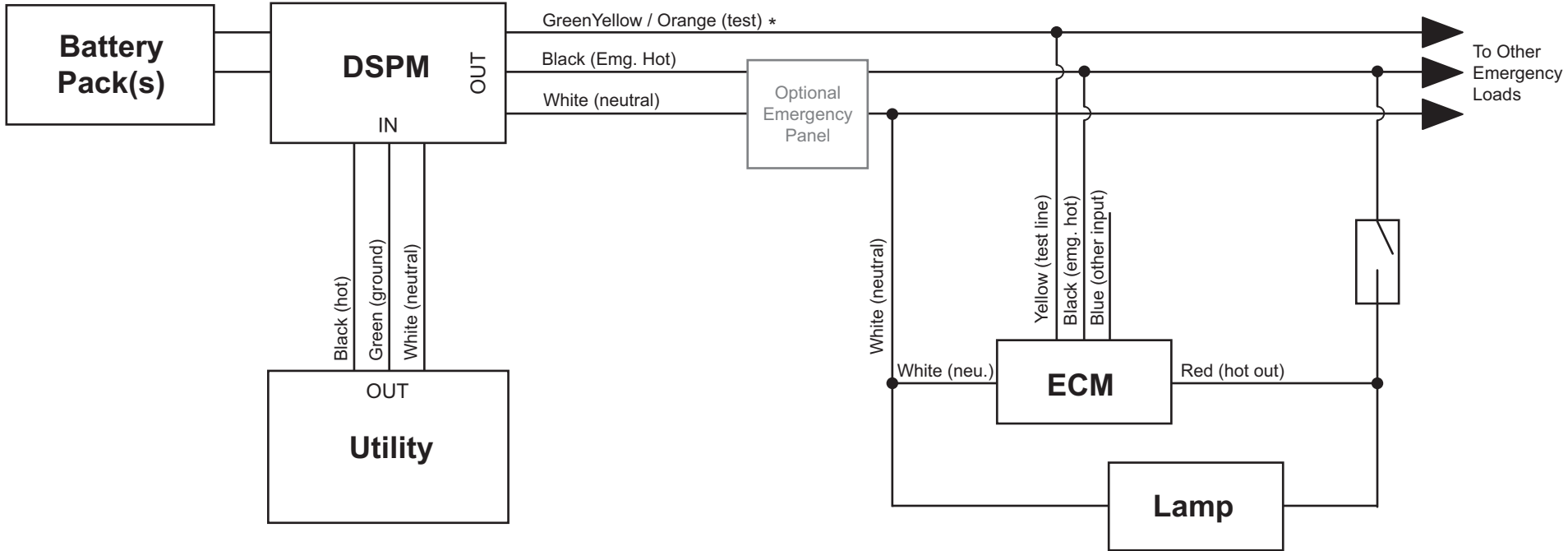
Catalog Number	
Project	Notes
Signature	Date



* Test Line = GreenYellow 120 VAC / Orange 277 VAC
 ** 20 Amps Maximum

	Title ECM Nitelite Override Mode Wiring Diagram	1921 S. Quaker Ridge Place Ontario, CA 91761 Ph: 1.877.DSPM POWER 1.877.377.6769 Fax: 909.930.3335	
	Document #: 086-0007-01		Revision: NA
	File: 086-0007-01 ECM Nitelite Override Mode		

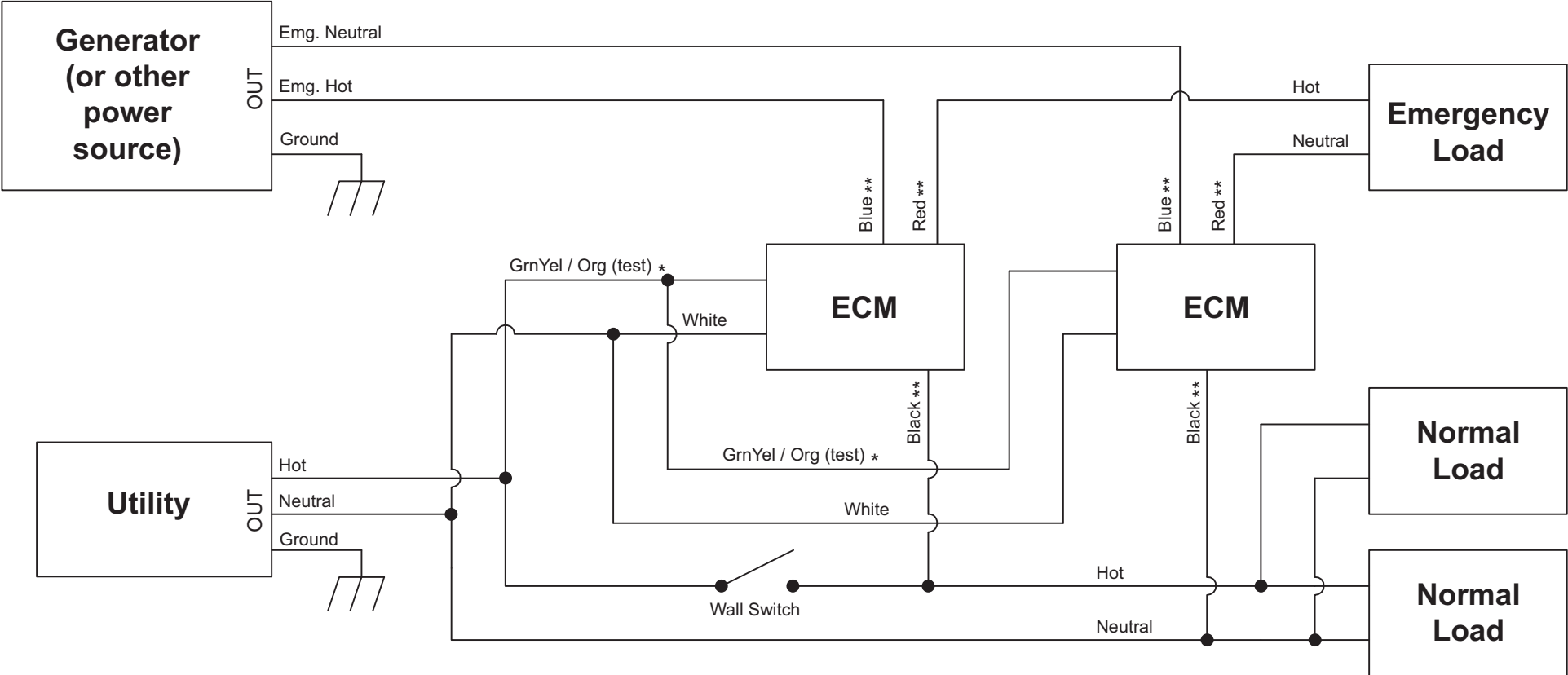
Catalog Number	
Project	Notes
Signature	Date




* Test Line = GreenYellow 120 VAC / Orange 277 VAC
 ** 20 Amps Maximum

	Title ECM Override Wall Switch Wiring Diagram	
	Document #: 086-0008-01	Revision: NA
	File: 086-0008-01 ECM Override Wall Switch	
		1921 S. Quaker Ridge Place Ontario, CA 91761 Ph: 1.877.DSPM POWER 1.877.377.6769 Fax: 909.930.3335

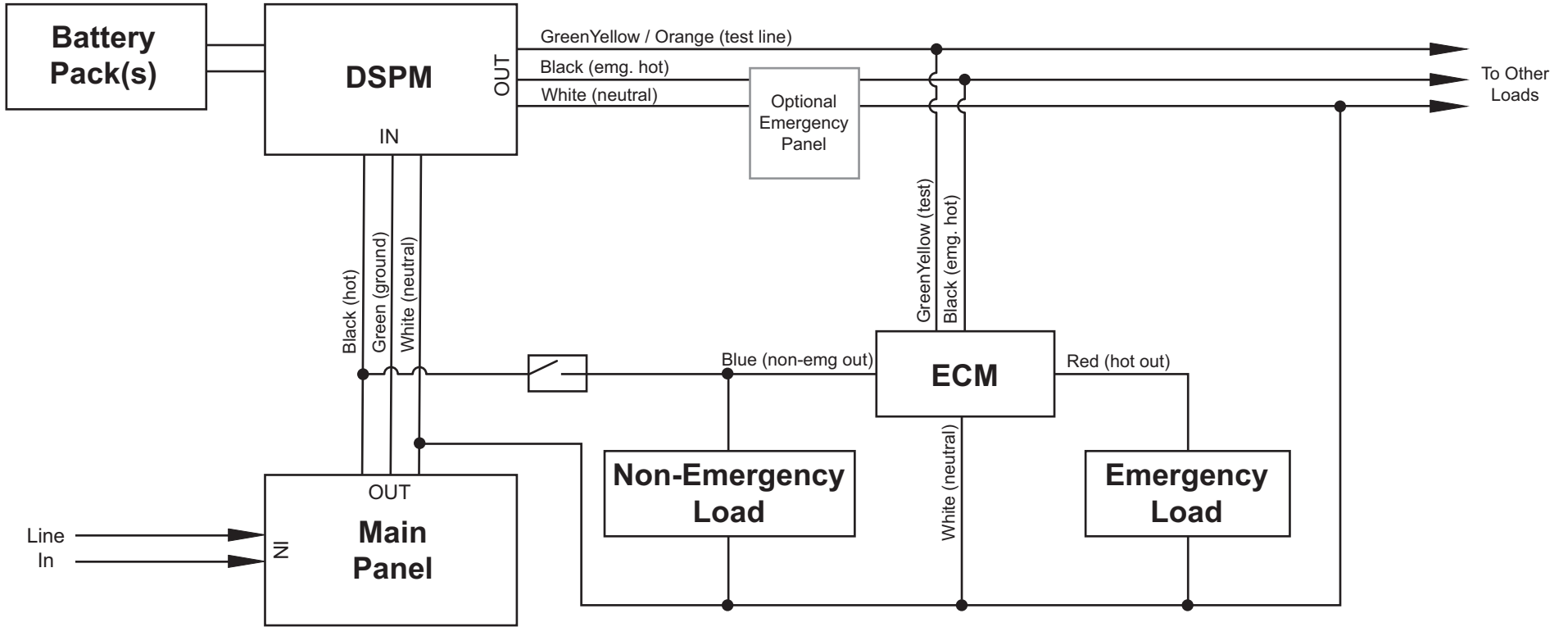
Catalog Number	
Project	Notes
Signature	Date




* Test Line = GreenYellow 120 VAC / Orange 277 VAC
 ** 20 Amps Maximum

 DSPM INC. DIGITAL SIGNAL POWER MANUFACTURER www.DSPManufacturing.com	Title ECM Generator Stand-by with Wall Switch Wiring Diagram Switching Hot and Neutral	1921 S. Quaker Ridge Place Ontario, CA 91761 Ph: 1.877.DSPM POWER 1.877.377.6769 Fax: 909.930.3335	
	Document #: 086-0009-01		Revision: NA
	File: 086-0009-01 ECM Generator Standby Wall Switch		

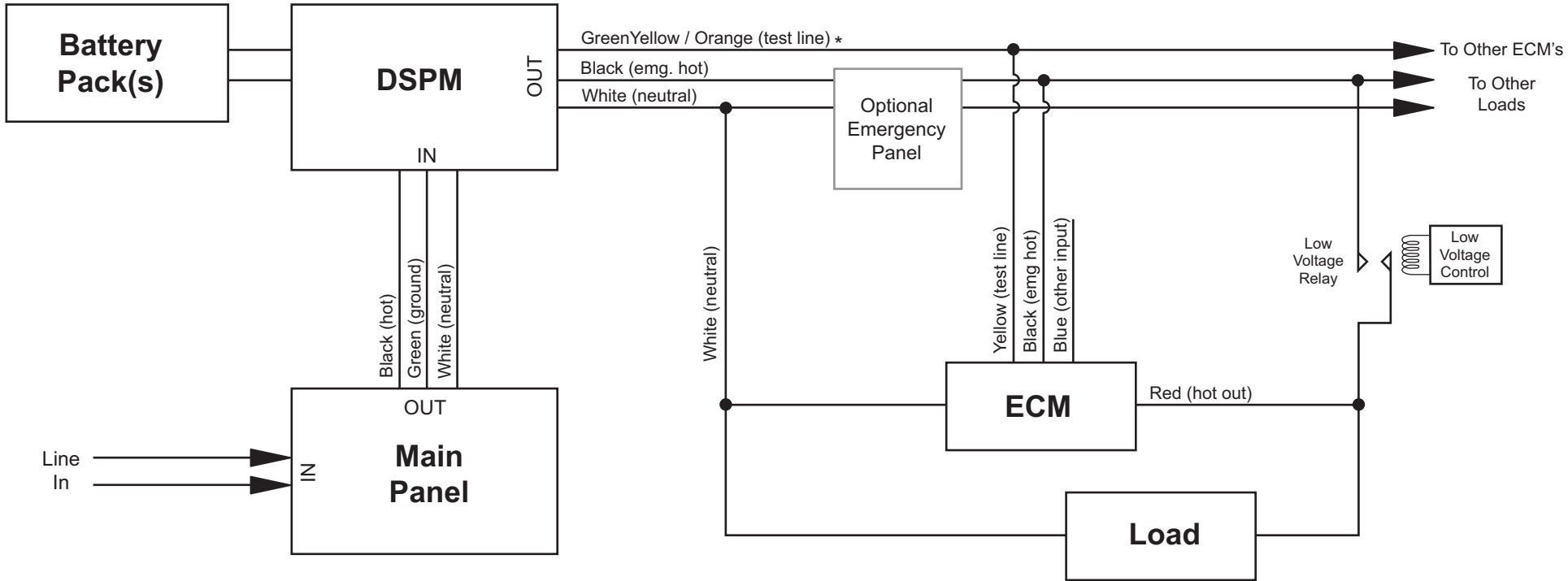
Catalog Number	
Project	Notes
Signature	Date




* Test Line = GreenYellow 120 VAC / Orange 277 VAC
 ** 20 Amps Maximum

 <p>DSPM INC. DIGITAL SIGNAL POWER MANUFACTURER www.DSPManufacturing.com</p>	Title ECM Emergency and Non Emergency Common Switch Wiring	1921 S. Quaker Ridge Place Ontario, CA 91761 Ph: 1.877.DSPM POWER 1.877.377.6769 Fax: 909.930.3335	
	Document #: 086-0010-01		Revision: NA
	File: 086-0010-01 ECM Emg and Non Common Switch		

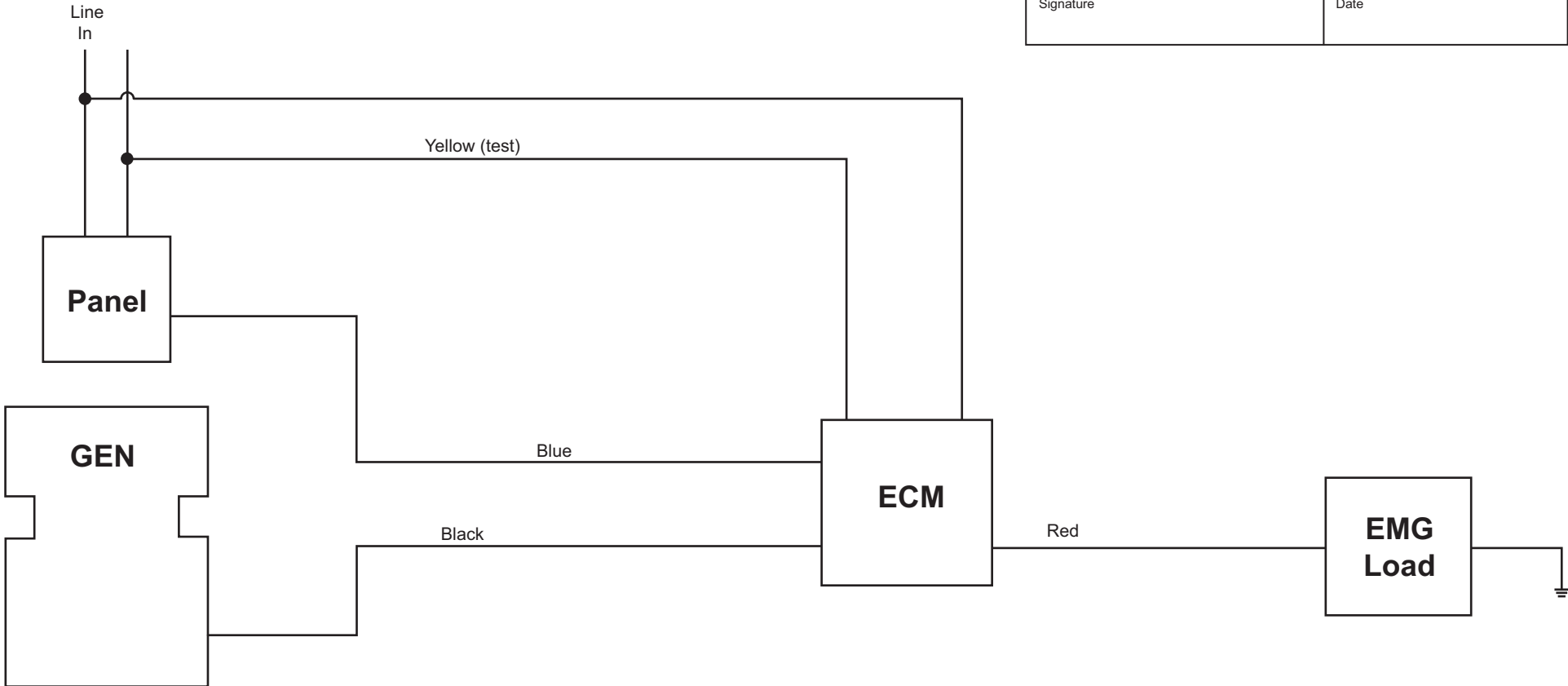
Catalog Number	
Project	Notes
Signature	Date




* Test Line = GreenYellow 120 VAC / Orange 277 VAC
 ** 20 Amps Maximum

 DSPM INC. DIGITAL SIGNAL POWER MANUFACTURER www.DSPManufacturing.com	Title ECM Low Voltage Control Wiring Diagram	1921 S. Quaker Ridge Place Ontario, CA 91761 Ph: 1.877.DSPM POWER 1.877.377.6769 Fax: 909.930.3335	
	Document #: 086-0011-01		Revision: NA
	File: 086-0011-01 ECM Low Voltage Control		

Catalog Number	
Project	Notes
Signature	Date



 DSPM INC. DIGITAL SIGNAL POWER MANUFACTURER www.DSPManufacturing.com	Title ECM Generator Wiring Diagram	1921 S. Quaker Ridge Place Ontario, CA 91761 Ph: 1.877.DSPM POWER 1.877.377.6769 Fax: 909.930.3335	
	Document #: 086-0012-01		Revision: NA
	File: 086-0012-01 ECM Generator		